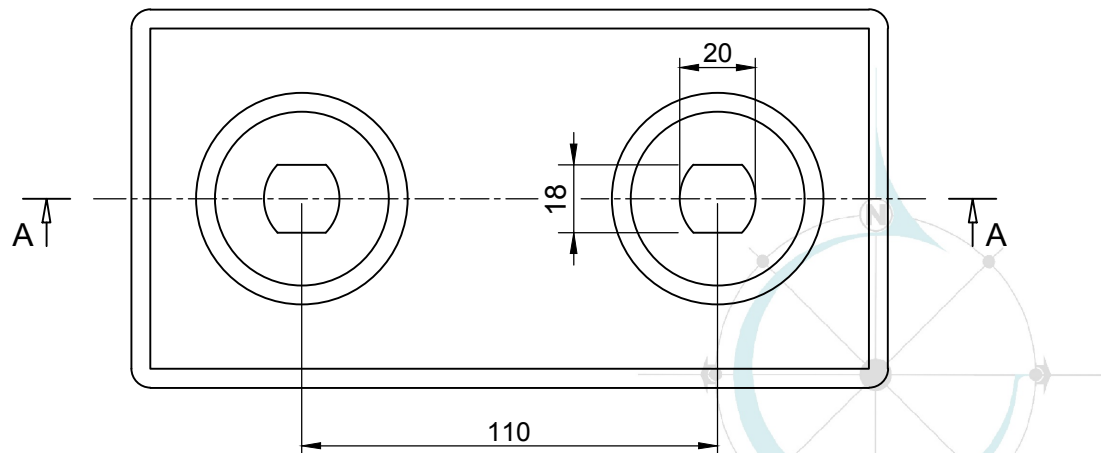
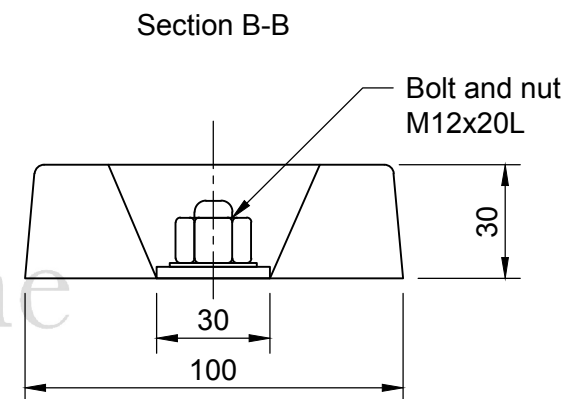


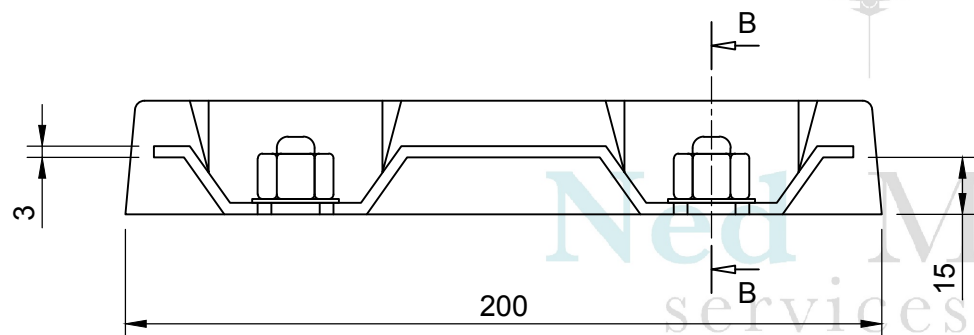
# NED B4A



Section A-A



Section B-B



## ALUMINIUM PL742 ALLOY SPECIFICATION

Components:  
 Zn 3,5-5% range  
 Fe 0,16% max  
 Cu 0,01% max  
 In 0,02-0,05% max  
 Si 0,1% max  
 Others 0,04% max  
 Al remaining

Capacity: 2680 Ah/kg  
 Efficiency: 90%  
 Potential: - 1110 mV Cu -  
 CuSO<sub>4</sub> electrolyte artificial sea water DIN 50905  
 Insert quality: Plate, bar section EN10025 Grade S235/S275  
 Insert welding: All fabrication of steel inserts are according EN10287 and EN10288

NET WEIGHT: 1,4 kg  
 GROSS WEIGHT: 1,5 kg

Company address:  
 Tinstraat 109  
 2984AN Ridderkerk  
 The Netherlands  
 Tel. +31 (0) 180 420 055  
 Fax. +31 (0) 180 499 810  
 E-mail. info@nedmarine.com  
 www.nedmarine.com



Drawing name: <b>NED B4A</b>			
Drawing No.: 17.0088		Rev: $\triangle$ 0	Sheet: 1/1
Drawn: R.D.	Approved: G.M.	Scale: -	Date: 19/09/2017

Ned T.D. 16 003