

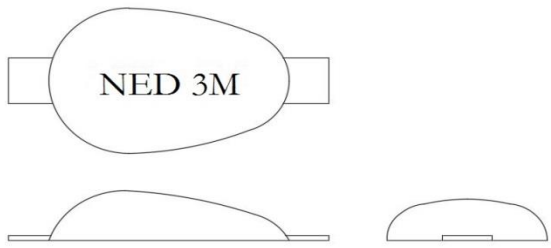
Product catalogue

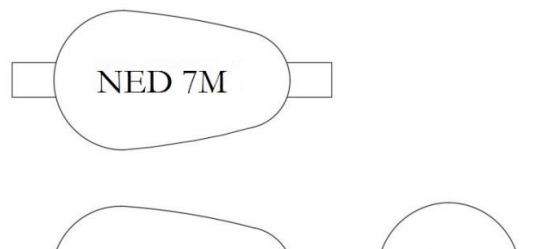
Anodes

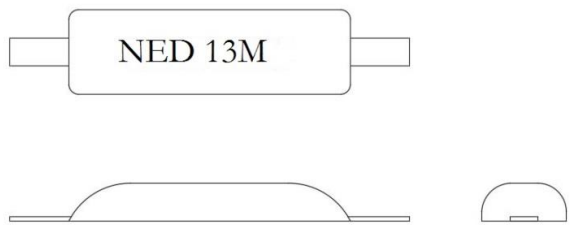


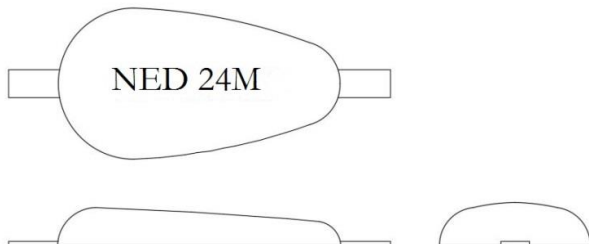
Magnesium

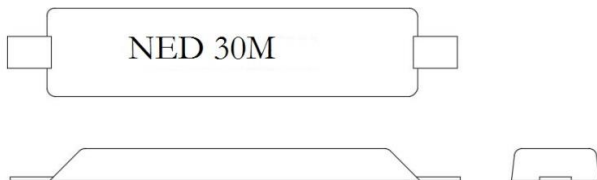
Welded

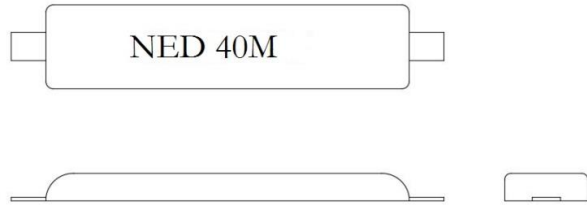
NED 3M		Dimensions	Metric	Imperial
		Net weight	: 0,3 kg	0,7 lb
		Gross weight	: 0,4 kg	0,9 lb
		Length	: 120 mm	4,7"
		Length with inserts	: 160 mm	6,3"
		Width top	: 80 mm	3,1"
		Width inserts	: 25 mm	1,0"
		Height	: 23 mm	0,9"
	Height inserts	: 3 mm	0,1"	

NED 7M		Dimensions	Metric	Imperial
		Net weight	: 0,7 kg	1,5 lb
		Gross weight	: 0,9 kg	2,0 lb
		Length	: 170 mm	6,7"
		Length with inserts	: 230 mm	9,1"
		Width top	: 100 mm	3,9"
		Width inserts	: 25 mm	1,0"
		Height	: 40 mm	1,6"
	Height inserts	: 3 mm	0,1"	

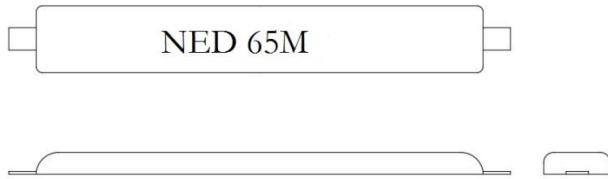
NED 13M		Dimensions	Metric	Imperial
		Net weight	: 1,3 kg	2,9 lb
		Gross weight	: 1,7 kg	3,7 lb
		Length	: 300 mm	11,8"
		Length with inserts	: 425 mm	1' 4,7"
		Width top	: 90 mm	3,5"
		Width inserts	: 30 mm	1,2"
		Height	: 40 mm	1,6"
	Height inserts	: 5 mm	0,2"	

Ned 24M		Dimensions	Metric	Imperial
		Net weight	: 2,4 kg	5,3 lb
		Gross weight	: 2,9 kg	6,4 lb
		Length	: 300 mm	11,8"
		Length with inserts	: 405 mm	1' 3,9"
		Width top	: 160 mm	6,3"
		Width inserts	: 30 mm	1,2"
		Height	: 45 mm	1,8"
	Height inserts	: 4 mm	0,2"	

NED 30M		Dimensions	Metric	Imperial
		Net weight	: 3,0 kg	6,6 lb
		Gross weight	: 4,0 kg	8,8 lb
		Length	: 465 mm	1' 6,3"
		Length with inserts	: 565 mm	1' 10,2"
		Width top	: 110 mm	4,3"
		Width inserts	: 40 mm	1,6"
		Height	: 40 mm	1,6"
	Height inserts	: 5 mm	0,2"	

NED 40M

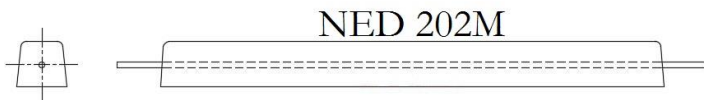
Dimensions	Metric	Imperial
Net weight	: 4,0 kg	8,8 lb
Gross weight	: 5,0 kg	11,0 lb
Length	: 520 mm	1' 8,5"
Length with inserts	: 620 mm	2' 0,4"
Width top	: 120 mm	4,7"
Width inserts	: 40 mm	1,6"
Height	: 40 mm	1,6"
Height inserts	: 5 mm	0,2"

NED 65M

Dimensions	Metric	Imperial
Net weight	: 6,5 kg	14,3 lb
Gross weight	: 8,1 kg	17,9 lb
Length	: 800 mm	2' 7,5"
Length with inserts	: 900 mm	2' 11,4"
Width top	: 120 mm	4,7"
Width inserts	: 40 mm	1,6"
Height	: 40 mm	1,6"
Height inserts	: 5 mm	0,2"

NED 136M

Dimensions	Metric	Imperial
Net weight	: 13,6 kg	30,0 lb
Gross weight	: 14,8 kg	32,6 lb
Length	: 1100 mm	3' 7,3"
Length with inserts	: 1300 mm	4' 3,2"
Width top	: 75 mm	3,0"
Width bottom	: 95 mm	3,7"
Width inserts	: 12 mm	0,5"
Height	: 90 mm	3,5"
Height inserts	: 12 mm	0,5"

NED 202M

Dimensions	Metric	Imperial
Net weight	: 20,2 kg	44,5 lb
Gross weight	: 21,3 kg	47,0 lb
Length	: 1100 mm	3' 7,3"
Length with inserts	: 1300 mm	4' 3,2"
Width top	: 90 mm	3,5"
Width bottom	: 110 mm	4,3"
Width inserts	: 12 mm	0,5"
Height	: 100 mm	3,9"
Height inserts	: 12 mm	0,5"

NED 221M

Dimensions	Metric	Imperial
Net weight	: 22,1 kg	48,7 lb
Gross weight	: 23,8 kg	52,5 lb
Length	: 1500 mm	4' 11,1"
Length with inserts	: 1700 mm	5' 6,9"
Width top	: 90 mm	3,5"
Width bottom	: 110 mm	4,3"
Width inserts	: 12 mm	0,5"
Height	: 95 mm	3,7"
Height inserts	: 12 mm	0,5"

PERFECTION IN INSPECTION

PERFECTION FOR PROTECTION



- * Ultrasonic Thickness measurements
- * New Building Inspections
- * Coating Inspections
- * Pré Conditional Survey
- * Dry-Dock Supervision
- * Superintendence
- * Hull Condition Monitoring
- * P&S Surveys
- * Hatch Tightness Testing
- * Leak Detection
- * Reporting
- * NDT Inspections

- * Magnetic Core Drilling
Technology and Products
- * Workshop Equipment



- * Sacrificial Anodes
- * Maritime Products

Version 1.0

Ned Marine Services B.V. – Tinstraat 109 – 2984 AN Ridderkerk – The Netherlands - Phone 0031 (0) 180 420 055 – Fax 0031 (0) 180 499 810

E-mail info@nedmarine.com – Website www.nedmarine.com – www.usaf-nedmarine.com

Registered Chamber of Commerce (KvK) Rotterdam 50358766 ABN AMRO Bank no. 401276015 VAT no. NL 822692144B01

International Banking Account no. NL25ABNA0401276015 – Swift no. ABNANL2A